

Distributed by:



**Corrosion
Control
Equipment
and
Supplies**

Houston Office:
248 McCarty Dr.
Houston, TX 77029-1195
(713) 672-8251
Fax (713) 672-6636

1-800-CLEMTEX
www.clemtex.com
clemtex@clemtex.com

Dallas Branch:

4770 Gretna
Dallas, TX 75207
(214) 631-0584
Fax (214) 631-5824
1-800-BLAST 97

Corpus Christi Branch:

4750 Westway
Corpus Christi, TX 78408
(361) 882-8282
Fax (361) 882-6029



Powder Booths

- > Non-Recovery
- > Cartridge System
(Powder Collection)
- > High Production Systems

GFS POWDER BOOTHS



Non-Recovery Powder Booths feature the 3-Stage Filtration System—easily accessible from inside the booth.



Non-Recovery Powder Booth are typically used in batch and low/medium production applications. This powder booth features an open-face design that incorporates a 3-stage filtration system and a high-capacity, low-noise re-circulation fan for maintaining a high-performance application environment.

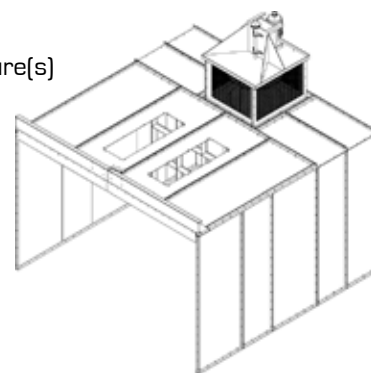
FEATURES

- Heavy duty construction with white pre-coated galvanized steel panels
- Smooth interior for easy maintenance
- Designed to comply with OSHA, NFPA and NEC regulations
- High capacity, low noise plug fan, rated at 1.5" SP, allows longer filter usage
- 3-Stage filtration system
- Energy efficient light fixture(s) with inside access for easy maintenance
- Air replacement not required

COMPLETE PACKAGE

All booth systems are shipped with:

- Fan
- Electric motor
- Energy efficient light fixture(s)
- Filters and grids
- Manometer for filter maintenance
- Assembly hardware and drawings



OPTIONS

- Conveyor openings
- Booth extensions
- Product doors
- Control panels

Notes:

- Motor HP, voltage and phase specific.
- CFM rating based on clean filters



1st Stage Roll Media	2nd Stage Panel Filter	3rd Stage Bag Filters
-------------------------	---------------------------	--------------------------

Roll Media contains multi-layered polyester media. The air-entry side is constructed of a mixture of lofted denier fiber. The air-leaving side is comprised of a mixture of heavily needed media to densify. The air leaving side is jet-ink printed for identification and proper installation.

Part No:
216-502 - 36" x 50'
216-503 - 45" x 50'

The panel is constructed of two different layers of tackified polyester media, sealed together so the tackified layers of each media touch in the center. A galvanized nine-gauge wire frame inside the panel touches the tackified sides of both media. The air-entry layer is constructed of multi-layered, multi-density polyester with a heavy, non-migrating tackifier on the air-leaving side. The air-leaving media is a heavily needed polyester, densified to 1/4" thick, tackified on the air-entry side.

Part No:
216-501 - 20" x 20" x 1"

The 6-pocket bag filter, is constructed of a composite of pre-filter, melt blown and spunbound polyester fibers. The pockets are sewn together on the perimeter with two heat seals, forming three air channels in each bag pocket.

The bag pockets on the metal support is inserted into a galvanized metal header. The galvanized header contains an acceptable sealing agent inside of each header to eliminate the possibility of paint bypass within the filter.

Part No:
216-505 - 20" x 20" x 12"

	GFS Model No.		Inside Dimensions		Outside Dimensions			Fan Clear Height	Light Qty	CFM	Fan Diameter	Motor HP
	Galvanized Booths	Precoat/White Booths	H	D	W	H	D					
8 Ft. Wide Booths	PNRG-886	PNRW-886	8'	6'	8'-4"	8'-2"	10'-2"	12'-2"	1	8000	24"	3
	PNRG-888	PNRW-888	8'	8'	8'-4"	8'-2"	12'-2"	12'-2"	1	8000	24"	3
	PNRG-889	PNRW-889	8'	9'	8'-4"	8'-2"	13'-2"	12'-2"	1	8000	24"	3
	PNRG-889-XL	PNRW-889-XL	8'	9'	8'-4"	8'-2"	13'-2"	12'-2"	2	8000	24"	3
	PNRG-8812	PNRW-8812	8'	12'	8'-4"	8'-2"	16'-2"	12'-2"	2	8000	24"	3
	PNRG-8106	PNRW-8106	10'	6'	8'-4"	10'-2"	10'-2"	14'-2"	1	10000	24"	5
	PNRG-8108	PNRW-8108	10'	8'	8'-4"	10'-2"	12'-2"	14'-2"	1	10000	24"	5
	PNRG-8109	PNRW-8109	10'	9'	8'-4"	10'-2"	13'-2"	14'-2"	1	10000	24"	5
	PNRG-8109-XL	PNRW-8109-XL	10'	9'	8'-4"	10'-2"	13'-2"	14'-2"	2	10000	24"	5
	PNRG-81012	PNRW-81012	10'	12'	8'-4"	10'-2"	16'-2"	14'-2"	2	10000	24"	5
10 Ft. Wide Booths	PNRG-1086	PNRW-1086	8'	6'	10'-4"	8'-2"	10'-2"	12'-2"	2	10000	24"	5
	PNRG-1088	PNRW-1088	8'	8'	10'-4"	8'-2"	12'-2"	12'-2"	2	10000	24"	5
	PNRG-1089	PNRW-1089	8'	9'	10'-4"	8'-2"	13'-2"	12'-2"	2	10000	24"	5
	PNRG-1089-XL	PNRW-1089-XL	8'	9'	10'-4"	8'-2"	13'-2"	12'-2"	3	10000	24"	5
	PNRG-10812	PNRW-10812	8'	12'	10'-4"	8'-2"	16'-2"	12'-2"	4	10000	24"	5
	PNRG-10106	PNRW-10106	10'	6'	10'-4"	10'-2"	10'-2"	14'-11"	2	12500	30"	5
	PNRG-10108	PNRW-10108	10'	8'	10'-4"	10'-2"	12'-2"	14'-11"	2	12500	30"	5
	PNRG-10109	PNRW-10109	10'	9'	10'-4"	10'-2"	13'-2"	14'-11"	2	12500	30"	5
	PNRG-10109-XL	PNRW-10109-XL	10'	9'	10'-4"	10'-2"	13'-2"	14'-11"	3	12500	30"	5
	PNRG-101012	PNRW-101012	10'	12'	10'-4"	10'-2"	16'-2"	14'-11"	4	12500	30"	5
12 Ft. Wide Booths	PNRG-1288	PNRW-1288	8'	8'	12'-4"	8'-10"	12'-2"	12'-11"	2	12000	30"	5
	PNRG-12810	PNRW-12810	8'	10'	12'-4"	8'-10"	14'-2"	12'-11"	2	12000	30"	5
	PNRG-12810-XL	PNRW-12810-XL	8'	10'	12'-4"	8'-10"	14'-2"	12'-11"	4	12000	30"	5
	PNRG-12812	PNRW-12812	8'	12'	12'-4"	8'-10"	16'-2"	12'-11"	4	12000	30"	5
	PNRG-12108	PNRW-12108	10'	8'	12'-4"	10'-10"	12'-2"	14'-11"	2	15000	30"	5
	PNRG-121010	PNRW-121010	10'	10'	12'-4"	10'-10"	14'-2"	14'-11"	2	15000	30"	5
	PNRG-121010-XL	PNRW-121010-XL	10'	10'	12'-4"	10'-10"	14'-2"	14'-11"	4	15000	30"	5
	PNRG-121012	PNRW-121012	10'	12'	12'-4"	10'-10"	16'-2"	14'-11"	4	15000	30"	5
14 Ft. Wide Booths	PNRG-1488	PNRW-1488	8'	8'	14'-4"	8'-10"	12'-2"	12'-11"	2	14000	30"	5
	PNRG-14810	PNRW-14810	8'	10'	14'-4"	8'-10"	14'-2"	12'-11"	2	14000	30"	5
	PNRG-14810-XL	PNRW-14810-XL	8'	10'	14'-4"	8'-10"	14'-2"	12'-11"	4	14000	30"	5
	PNRG-14812	PNRW-14812	8'	12'	14'-4"	8'-10"	16'-2"	12'-11"	4	14000	30"	5
	PNRG-14108	PNRW-14108	10'	8'	14'-4"	10'-10"	12'-2"	15'-4"	2	17500	36"	5
	PNRG-141010	PNRW-141010	10'	10'	14'-4"	10'-10"	14'-2"	15'-4"	2	17500	36"	5
	PNRG-141010-XL	PNRW-141010-XL	10'	10'	14'-4"	10'-10"	14'-2"	15'-4"	4	17500	36"	5
	PNRG-141012	PNRW-141012	10'	12'	14'-4"	10'-10"	16'-2"	15'-4"	4	17500	36"	5
16 Ft. Wide Booths	PNRG-1688	PNRW-1688	8'	8'	16'-4"	8'-10"	12'-2"	12'-11"	2	16000	30"	7.5
	PNRG-16810	PNRW-16810	8'	10'	16'-4"	8'-10"	14'-2"	12'-11"	2	16000	30"	7.5
	PNRG-16810-XL	PNRW-16810-XL	8'	10'	16'-4"	8'-10"	14'-2"	12'-11"	4	16000	30"	7.5
	PNRG-16812	PNRW-16812	8'	12'	16'-4"	8'-10"	16'-2"	12'-11"	4	16000	30"	7.5
	PNRG-16108	PNRW-16108	10'	8'	16'-4"	10'-10"	12'-2"	15'-4"	2	20000	36"	7.5
	PNRG-161010	PNRW-161010	10'	10'	16'-4"	10'-10"	14'-2"	15'-4"	2	20000	36"	7.5
	PNRG-161010-XL	PNRW-161010-XL	10'	10'	16'-4"	10'-10"	14'-2"	15'-4"	4	20000	36"	7.5
	PNRG-161012	PNRW-161012	10'	12'	16'-4"	10'-10"	16'-2"	15'-4"	4	20000	36"	7.5
18 Ft. Wide Booths	PNRG-1888	PNRW-1888	8'	8'	18'-4"	8'-10"	12'-2"	13'-4"	3	18000	36"	7.5
	PNRG-18810	PNRW-18810	8'	10'	18'-4"	8'-10"	14'-2"	13'-4"	3	18000	36"	7.5
	PNRG-18810-XL	PNRW-18810-XL	8'	10'	18'-4"	8'-10"	14'-2"	13'-4"	5	18000	36"	7.5
	PNRG-18812	PNRW-18812	8'	12'	18'-4"	8'-10"	16'-2"	13'-4"	6	18000	36"	7.5
	PNRG-18108	PNRW-18108	10'	8'	18'-4"	10'-10"	12'-2"	15'-4"	3	22500	36"	7.5
	PNRG-181010	PNRW-181010	10'	10'	18'-4"	10'-10"	14'-2"	15'-4"	3	22500	36"	7.5
	PNRG-181010-XL	PNRW-181010-XL	10'	10'	18'-4"	10'-10"	14'-2"	15'-4"	5	22500	36"	7.5
	PNRG-181012	PNRW-181012	10'	12'	18'-4"	10'-10"	16'-2"	15'-4"	6	22500	36"	7.5
20 Ft. Wide Booths	PNRG-2088	PNRW-2088	8'	8'	20'-4"	8'-10"	12'-2"	13'-4"	4	20000	36"	7.5
	PNRG-20810	PNRW-20810	8'	10'	20'-4"	8'-10"	14'-2"	13'-4"	4	20000	36"	7.5
	PNRG-20810-XL	PNRW-20810-XL	8'	10'	20'-4"	8'-10"	14'-2"	13'-4"	6	20000	36"	7.5
	PNRG-20812	PNRW-20812	8'	12'	20'-4"	8'-10"	16'-2"	13'-4"	8	20000	36"	7.5
	PNRG-20108	PNRW-20108	10'	8'	20'-4"	10'-10"	12'-2"	15'-4"	4	25000	36"	10
	PNRG-201010	PNRW-201010	10'	10'	20'-4"	10'-10"	14'-2"	15'-4"	4	25000	36"	10
	PNRG-201010-XL	PNRW-201010-XL	10'	10'	20'-4"	10'-10"	14'-2"	15'-4"	6	25000	36"	10
	PNRG-201012	PNRW-201012	10'	12'	20'-4"	10'-10"	16'-2"	15'-4"	8	25000	36"	10

GFS POWDER BOOTHS

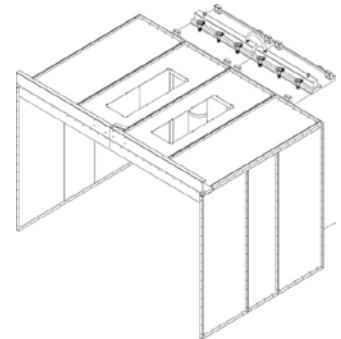


Cartridge System/Powder Collection Booths are typically used in batch and low/medium production applications. This booth features a cartridge filtration system using the PC-100 module, which re-circulates clean, filtered air. The powder module includes a high-performance non-sparking fan, six high-efficiency primary cartridge filters, reverse pulse jet solenoids, and four final filters.

The deluxe control panel features a Photohelic pressure gauge that monitors pressure drop and initiates the high-velocity pulse of air that is automatically injected into each filter sequentially. This means that you change filters less often.

FEATURES

- White pre-coated galvanized steel panels
- Energy efficient inside access light fixture(s)
- Collector Module features high efficiency cartridge filters and air solenoid for filter maintenance
- Standard differential pressure gauge with a safety interlock for automatic shut down when air pressure exceeds its normal operating range



OPTIONS

- Fluidized bed for powder recovery (pump not included).
- Powder modules can be purchased separately
- Conveyor openings
- Booth extensions
- Control panel (UL listed) factory assembled, pre-wired and numbered with motor starter, fuse disconnect - on/off switch and a solid-state timer for adjustments of sequential pulse cleaning



PC-100 - Collector Module Only

Universal application with only one standard collector, featuring MAAVC (Manually Adjusted Air Velocity Controls).

- 5 HP direct drive, 3-phase 208/230-460V motor with non-sparking fan
- 6 cartridge filters with fast release mounting assembly
- 4 final filters for additional protection in the workplace
- The air supply requirements are 2.3 cfm @ 40 - 70 psig or 13.1 scfm, regulator not included
- Optional casters for either tracks or roll around



	GFS Model No.		Inside Dimensions		Outside Dimensions			Collector QTY	Max SCFM	Light QTY	Optional Control Panel	
	Galvanized Booths	Precoat White Booths	H	D	W	H	D					
6 Ft. Wide Booths	PCBG-686	PCBW-686	8'	6'	6'-4"	8'-2"	10'-2"	1	5,000	1	CP1-PCB	
	PCBG-688	PCBW-688	8'	8'	6'-4"	8'-2"	12'-2"	1	5,000	1	CP1-PCB	
	PCBG-689	PCBW-689	8'	9'	6'-4"	8'-2"	13'-2"	1	5,000	1	CP1-PCB	
	PCBG-689-XL	PCBW-689-XL	8'	9'	6'-4"	8'-2"	13'-2"	1	5,000	2	CP1-PCB	
	PCBG-6812	PCBW-6812	8'	12'	6'-4"	8'-2"	16'-2"	1	5,000	2	CP1-PCB	
	PCBG-6106	PCBW-6106	10'	6'	6'-4"	10'-2"	10'-2"	1	5,000	1	CP1-PCB	
	PCBG-6108	PCBW-6108	10'	8'	6'-4"	10'-2"	12'-2"	1	5,000	1	CP1-PCB	
	PCBG-6109	PCBW-6109	10'	9'	6'-4"	10'-2"	13'-2"	1	5,000	1	CP1-PCB	
	PCBG-6109-XL	PCBW-6109-XL	10'	9'	6'-4"	10'-2"	13'-2"	1	5,000	2	CP1-PCB	
	PCBG-61012	PCBW-61012	10'	12'	6'-4"	10'-2"	16'-2"	1	5,000	2	CP1-PCB	
	8 Ft. Wide Booths	PCBG-886	PCBW-886	8'	6'	8'-4"	8'-2"	10'-2"	2	10,000	1	CP2-PCB
		PCBG-888	PCBW-888	8'	8'	8'-4"	8'-2"	12'-2"	2	10,000	1	CP2-PCB
PCBG-889		PCBW-889	8'	9'	8'-4"	8'-2"	13'-2"	2	10,000	1	CP2-PCB	
PCBG-889-XL		PCBW-889-XL	8'	9'	8'-4"	8'-2"	13'-2"	2	10,000	2	CP2-PCB	
PCBG-8812		PCBW-8812	8'	12'	8'-4"	8'-2"	16'-2"	2	10,000	2	CP2-PCB	
PCBG-8106		PCBW-8106	10'	6'	8'-4"	10'-2"	10'-2"	2	10,000	1	CP2-PCB	
PCBG-8108		PCBW-8108	10'	8'	8'-4"	10'-2"	12'-2"	2	10,000	1	CP2-PCB	
PCBG-8109		PCBW-8109	10'	9'	8'-4"	10'-2"	13'-2"	2	10,000	1	CP2-PCB	
PCBG-8109-XL		PCBW-8109-XL	10'	9'	8'-4"	10'-2"	13'-2"	2	10,000	2	CP2-PCB	
PCBG-81012		PCBW-81012	10'	12'	8'-4"	10'-2"	16'-2"	2	10,000	2	CP2-PCB	
10 Ft. Wide Booths		PCBG-1086	PCBW-1086	8'	6'	10'-4"	8'-2"	10'-2"	2	10,000	2	CP2-PCB
		PCBG-1088	PCBW-1088	8'	8'	10'-4"	8'-2"	12'-2"	2	10,000	2	CP2-PCB
	PCBG-1089	PCBW-1089	8'	9'	10'-4"	8'-2"	13'-2"	2	10,000	2	CP2-PCB	
	PCBG-1089-XL	PCBW-1089-XL	8'	9'	10'-4"	8'-2"	13'-2"	2	10,000	3	CP2-PCB	
	PCBG-10812	PCBW-10812	8'	12'	10'-4"	8'-2"	16'-2"	2	10,000	4	CP2-PCB	
	PCBG-10106	PCBW-10106	10'	6'	10'-4"	10'-2"	10'-2"	2	10,000	2	CP2-PCB	
	PCBG-10108	PCBW-10108	10'	8'	10'-4"	10'-2"	12'-2"	2	10,000	2	CP2-PCB	
	PCBG-10109	PCBW-10109	10'	9'	10'-4"	10'-2"	13'-2"	2	10,000	2	CP2-PCB	
	PCBG-10109-XL	PCBW-10109-XL	10'	9'	10'-4"	10'-2"	13'-2"	2	10,000	3	CP2-PCB	
	PCBG-101012	PCBW-101012	10'	12'	10'-4"	10'-2"	16'-2"	2	10,000	4	CP2-PCB	
	12 Ft. Wide Booths	PCBG-1288	PCBW-1288	8'	8'	12'-4"	8'-10"	12'-2"	2	10,000	2	CP2-PCB
		PCBG-12810	PCBW-12810	8'	10'	12'-4"	8'-10"	14'-2"	2	10,000	2	CP2-PCB
PCBG-12810-XL		PCBW-12810-XL	8'	10'	12'-4"	8'-10"	14'-2"	2	10,000	4	CP2-PCB	
PCBG-12812		PCBW-12812	8'	12'	12'-4"	8'-10"	16'-2"	2	10,000	4	CP2-PCB	
PCBG-12108		PCBW-12108	10'	8'	12'-4"	10'-10"	12'-2"	2	10,000	2	CP2-PCB	
PCBG-121010		PCBW-121010	10'	10'	12'-4"	10'-10"	14'-2"	2	10,000	2	CP2-PCB	
PCBG-121010-XL		PCBW-121010-XL	10'	10'	12'-4"	10'-10"	14'-2"	2	10,000	4	CP2-PCB	
PCBG-121012		PCBW-121012	10'	12'	12'-4"	10'-10"	16'-2"	2	10,000	4	CP2-PCB	
14 Ft. Wide Booths		PCBG-1488	PCBW-1488	8'	8'	14'-4"	8'-10"	12'-2"	2	10,000	2	CP2-PCB
		PCBG-14810	PCBW-14810	8'	10'	14'-4"	8'-10"	14'-2"	2	10,000	2	CP2-PCB
		PCBG-14810-XL	PCBW-14810-XL	8'	10'	14'-4"	8'-10"	14'-2"	2	10,000	4	CP2-PCB
		PCBG-14812	PCBW-14812	8'	12'	14'-4"	8'-10"	16'-2"	2	10,000	4	CP2-PCB
	PCBG-14108	PCBW-14108	10'	8'	14'-4"	10'-10"	12'-2"	3	15,000	2	CP3-PCB	
	PCBG-141010	PCBW-141010	10'	10'	14'-4"	10'-10"	14'-2"	3	15,000	2	CP3-PCB	
	PCBG-141010-XL	PCBW-141010-XL	10'	10'	14'-4"	10'-10"	14'-2"	3	15,000	4	CP3-PCB	
	PCBG-141012	PCBW-141012	10'	12'	14'-4"	10'-10"	16'-2"	3	15,000	4	CP3-PCB	
	16 Ft. Wide Booths	PCBG-1688	PCBW-1688	8'	8'	16'-4"	8'-10"	12'-2"	3	15,000	2	CP3-PCB
		PCBG-16810	PCBW-16810	8'	10'	16'-4"	8'-10"	14'-2"	3	15,000	2	CP3-PCB
		PCBG-16810-XL	PCBW-16810-XL	8'	10'	16'-4"	8'-10"	14'-2"	3	15,000	4	CP3-PCB
		PCBG-16812	PCBW-16812	8'	12'	16'-4"	8'-10"	16'-2"	3	15,000	4	CP3-PCB
PCBG-16108		PCBW-16108	10'	8'	16'-4"	10'-10"	12'-2"	3	15,000	2	CP3-PCB	
PCBG-161010		PCBW-161010	10'	10'	16'-4"	10'-10"	14'-2"	3	15,000	2	CP3-PCB	
PCBG-161010-XL		PCBW-161010-XL	10'	10'	16'-4"	10'-10"	14'-2"	3	15,000	4	CP3-PCB	
PCBG-161012		PCBW-161012	10'	12'	16'-4"	10'-10"	16'-2"	3	15,000	4	CP3-PCB	
18 Ft. Wide Booths		PCBG-1888	PCBW-1888	8'	8'	18'-4"	8'-10"	12'-2"	3	15,000	3	CP3-PCB
		PCBG-18810	PCBW-18810	8'	10'	18'-4"	8'-10"	14'-2"	3	15,000	3	CP3-PCB
		PCBG-18810-XL	PCBW-18810-XL	8'	10'	18'-4"	8'-10"	14'-2"	3	15,000	5	CP3-PCB
		PCBG-18812	PCBW-18812	8'	12'	18'-4"	8'-10"	16'-2"	3	15,000	6	CP3-PCB
	PCBG-18108	PCBW-18108	10'	8'	18'-4"	10'-10"	12'-2"	3	15,000	3	CP3-PCB	
	PCBG-181010	PCBW-181010	10'	10'	18'-4"	10'-10"	14'-2"	3	15,000	3	CP3-PCB	
	PCBG-181010-XL	PCBW-181010-XL	10'	10'	18'-4"	10'-10"	14'-2"	3	15,000	5	CP3-PCB	
	PCBG-181012	PCBW-181012	10'	12'	18'-4"	10'-10"	16'-2"	3	15,000	6	CP3-PCB	
	20 Ft. Wide Booths	PCBG-2088	PCBW-2088	8'	8'	20'-4"	8'-10"	12'-2"	4	20,000	4	CP4-PCB
		PCBG-20810	PCBW-20810	8'	10'	20'-4"	8'-10"	14'-2"	4	20,000	4	CP4-PCB
		PCBG-20810-XL	PCBW-20810-XL	8'	10'	20'-4"	8'-10"	14'-2"	4	20,000	6	CP4-PCB
		PCBG-20812	PCBW-20812	8'	12'	20'-4"	8'-10"	16'-2"	4	20,000	8	CP4-PCB
PCBG-20108		PCBW-20108	10'	8'	20'-4"	10'-10"	12'-2"	4	20,000	4	CP4-PCB	
PCBG-201010		PCBW-201010	10'	10'	20'-4"	10'-10"	14'-2"	4	20,000	4	CP4-PCB	
PCBG-201010-XL		PCBW-201010-XL	10'	10'	20'-4"	10'-10"	14'-2"	4	20,000	6	CP4-PCB	
PCBG-201012		PCBW-201012	10'	12'	20'-4"	10'-10"	16'-2"	4	20,000	8	CP4-PCB	

GFS POWDER BOOTHS

High Production Collection Booth (HPCB) are designed to increase productivity, product quality, and profitability. Often used in conveyorized powder coating application systems. Modular designs engineered for optimum airflow and maximum transfer efficiency enable GFS to efficiently produce powder systems ideal for any powder coating operation.

- Constructed of 18 gauge stainless steel panels for exceptionally long life.
- Self-cleaning cartridge filter collectors provide easy access to the filters for fast maintenance.
- Overhead filtration requires less floor space and features lightweight removable filter modules
- Optimum air control maximizes transfer efficiency and booth cleanliness and improves overall performance
- Unique hood design with angled corners inside booth for easy cleaning.
- Independent cartridge module complete with motor, fan and air solenoids with venturies designed to provide efficient air pulsation through cartridge filters.

OPTIONS

- Fluorescent lighting
- Central air manifold with required regulators
- 2 speed fan control with operating & cleaning modes
- Roll on/off track system
- Flame detection system



Custom designed booth openings such as operator shields and touch-up windows create a safe and efficient working environment.

FEATURES

Powder Booth

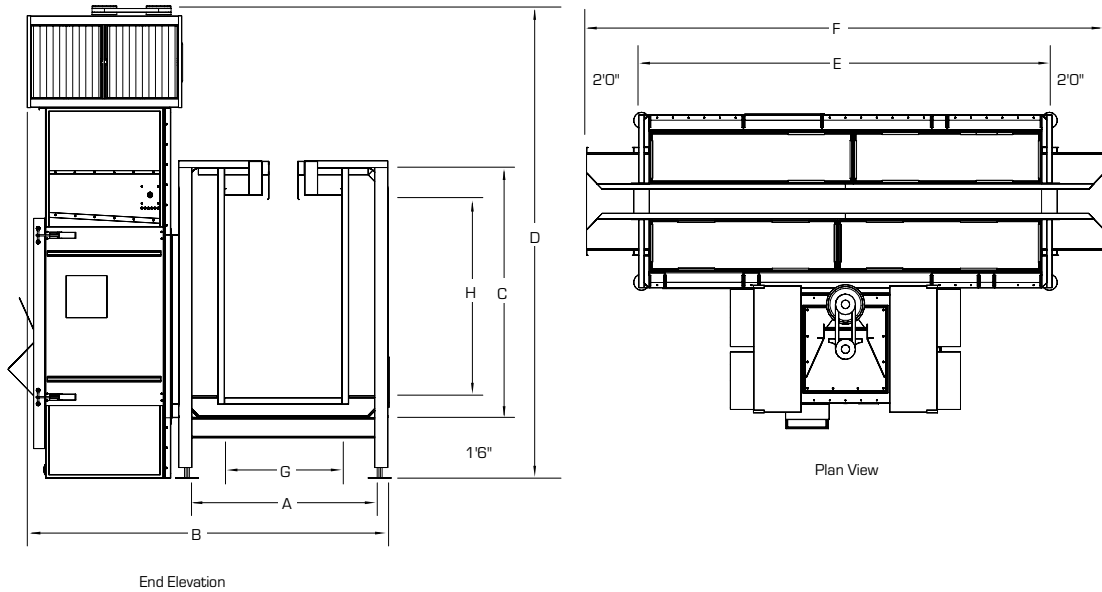
- 18-gauge 304SS canopy with 4B high-polish inside finish
- Smooth, tapered inside surfaces for easy cleaning
- Standard 2 foot long entrance and exit vestibules
- Transparent polycarbonate ceiling for a brighter application environment
- Adjustable-height leveling

Fan Module

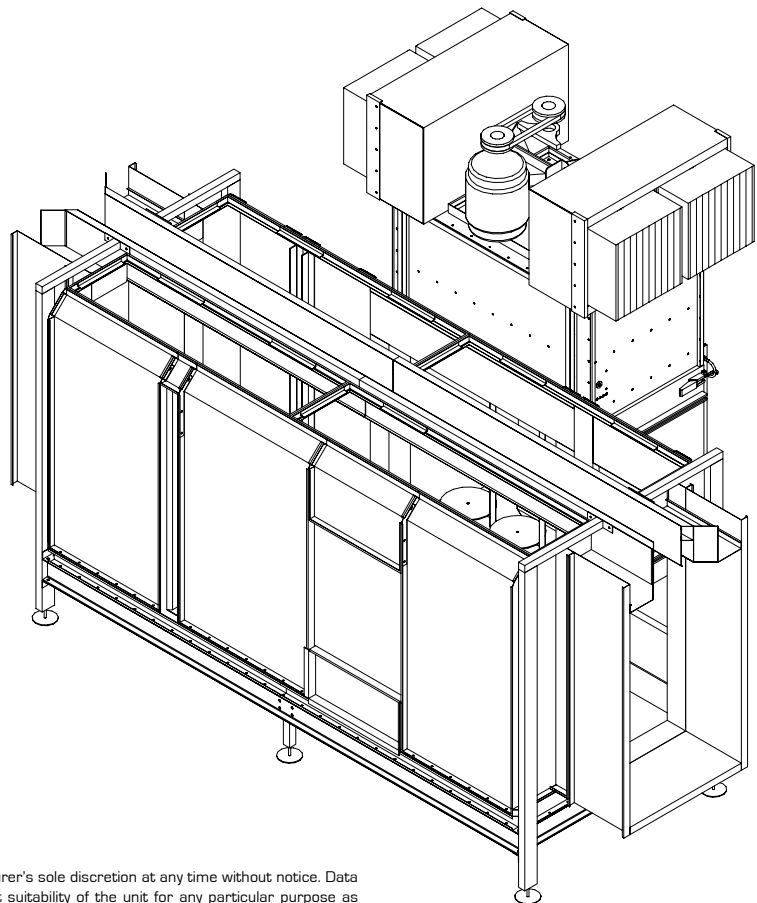
- High-efficiency re-circulation fan
- High-efficiency final filters
- 120 volt air supply shut-off valve
- 1" diameter air line filter

Collector Module

- Cartridge filter collection for primary powder collection and reclaim
- Integral fluidized bed with high-capacity powder transfer pumps
- Self-cleaning pulse-jet filtration
- Casters that allow easy maneuverability for color changes
- Integral powder fill hopper



Model No.	Inside Dimensions			Overall Dimensions			Conveyor Openings		Auto. Gun Slots		Operator Windows		Collector Module				
	Width A	Height C	Length E	Width B	Height D	Length F	Width G	Height H	Qty	Height	Qty	Width	Height	CFM	Fan Size	Fan HP	Filter Qty
HPCB-2436	4'-0"	5'-0"	14'-6"	8'-9"	11'-5"	18'-6"	2'-0"	3'-0"	2	3'-0"	2	2'-6"	3'-0"	4,000	18"	5	6
HPCB-2448	4'-0"	6'-0"	14'-6"	8'-9"	11'-5"	18'-6"	2'-0"	4'-0"	2	4'-0"	2	2'-6"	4'-0"	5,000	18"	7.5	8
HPCB-3060	5'-0"	7'-0"	16'-6"	9'-9"	11'-5"	20'-6"	2'-6"	5'-0"	2	4'-0"	2	2'-6"	4'-0"	6,000	20"	7.5	10
HPCB-3660	5'-0"	7'-0"	16'-6"	9'-9"	11'-5"	20'-6"	3'-0"	5'-0"	2	5'-0"	2	2'-6"	5'-0"	7,000	22"	10	10
HPCB-3672	5'-0"	8'-0"	18'-6"	9'-9"	11'-5"	22'-6"	3'-0"	6'-0"	2	5'-0"	2	2'-6"	5'-0"	8,000	22"	10	12
HPCB-4872	6'-0"	8'-0"	18'-6"	10'-9"	11'-5"	22'-6"	4'-0"	6'-0"	2	5'-0"	2	2'-6"	5'-0"	9,000	22"	15	12



All designs, specifications and components are subject to change at the manufacturer's sole discretion at any time without notice. Data published herein is informational in nature and shall not be construed to warrant suitability of the unit for any particular purpose as performance may vary with the conditions encountered.

GFS PARTS & FILTERS

Full Service Parts and Filters Department

GFS' quest for product quality and performance has resulted in a full line of accessories that have been designed and manufactured for durability and long lasting, trouble-free service. Great emphasis is placed on our engineering and workmanship so that GFS customers will receive the best products at competitive prices.

- Filters (all Makes & Models)
- Electrical Components
- Oven Components
- Lighting
- Motors
- Fans
- Exhaust Ductwork
- Doors
- Grates and Pans
- Panels
- Filter Racks
- Insulation
- Hardware
- Spray Booth Accessories
- Other Miscellaneous



Exhaust Fans



Filters



Ductwork



Control Panels



Fluorescent Light Fixtures



Spray Booth Accessories

Approved Replacement Parts and Filters

GFS is also your approved full-line supplier for Parts and Filters for:

- Binks Booths
- DeVilbiss Booths
- JBI Booths & Ovens
- Blu-Surf Systems
- Milbanks Systems
- Other Spray Booth Manufacturers

Contact GFS for more information!

(800)848-8738



Global Finishing Solutions • 800-848-8738 • info@globalfinishing.com
Osseo, Wisconsin • Dallas, Texas • Monterrey, Mexico • Barrie, Ontario
www.globalfinishing.com